



Pascall's Quality System
Is Registered Under
BS EN ISO 9001



PM 13274
BS EN ISO 9001

Pascall Electronics Ltd,
Westridge Business Park,
Cothey Way,
Ryde, Isle of Wight,
PO33 1QT UK

Tel: +44 (0) 1983 817300
Fax: +44 (0) 1983 564708

Pascall

WIRELESS COMMS

SS & SD SERIES

www.pascall.co.uk

STANDARD 90mm & 96mm PACKAGES

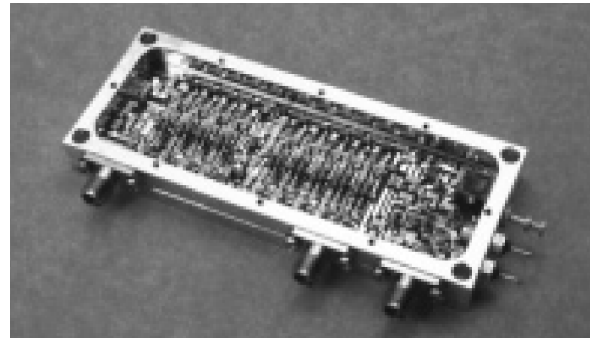
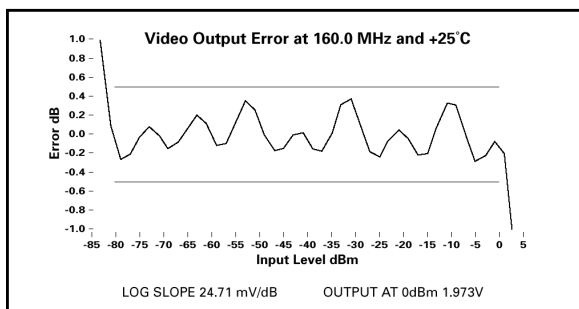
80dB DYNAMIC RANGE

10 MHz TO 750MHz • LINEARITY ± 0.5 dB

Model Nos. SSSDA SSDB SSDBB	Model Nos. SDA SDB SDBB	Centre Freq. MHz	Band Width MHz	Dynamic Range dB	Rise-Time nsec	Fall Time nsec
SSDA/SDA Super Series (Linearity ± 0.5dB)						
SSDA-1002	SDA-1002	10	5	80	500	1000
SSDA-2005	SDA-2005	20	5	80	200	500
SSDA-3010	SDA-3010	30	10	80	100	250
SSDA-6010	SDA-6010	60	10	80	90	230
SSDA-6020	SDA-6020	60	20	80	45	120
SSDA-7010	SDA-7010	70	10	80	90	230
SSDA-7020	SDA-7020	70	20	80	45	120
SSDA-7040	SDA-7040	70	40	80	30	90
SSDA-12020	SDA-12020	120	20	80	45	120
SSDA-12040	SDA-12040	120	40	80	30	60
SSDA-16040	SDA-16040	160	40	80	30	60
SSDA-16080	SDA-16080	160	80	70	20	40
SSDA-20050	SDA-20050	200	50	70	30	60
SSDB/SDB Standard Series (Linearity ± 1dB)						
SSDB-1002	SDB-1002	10	2	80	500	1000
SSDB-2005	SDB-2005	20	5	80	200	500
SSDB-3010	SDB-3010	30	10	80	100	250
SSDB-6010	SDB-6010	60	10	80	90	230
SSDB-6020	SDB-6020	60	20	80	45	120
SSDB-7010	SDB-7010	70	10	80	90	230
SSDB-7020	SDB-7020	70	20	80	45	120
SSDB-7040	SDB-7040	70	40	80	30	90
SSDB-12020	SDB-12020	120	20	80	45	120
SSDB-12040	SDB-12040	120	40	80	30	60
SSDB-16040	SDB-16040	160	40	80	30	60
SSDB-16080	SDB-16080	160	80	80	20	40
SSDB-20050	SDB-20050	200	50	80	30	60
SSDB-50050	SDB-50050	500	50	70	15	25

SSDBB/SDBB Broad Band (Linearity ± 1dB)						
SSDBB-150100	SDBB-150100	150	100	70	20	35
SSDBB-300200	SDBB-300200	300	200	65	15	35
SSDBB-375250	SDBB-375250	375	250	65	15	35
SSDBB-450300	SDBB-450300	450	300	65	15	35
SSDBB-475150	SDBB-475150	475	150	65	15	35

Typical Performance @ +25°C SSDA 16040



Additional Specifications

Linearity, max deviations	SSDA/SDA	SSDB/SDB
@ Centre Frequency and +25°C	± 0.5 dB	± 1.0 dB
Over 0°C to +60°C	± 0.8 dB	± 1.5 dB
Over -45°C to +85°C	± 1.5 dB	± 2.0 dB
Log slope:	25mV/dB nominal	25mV/dB nominal
Max. variation with temperature:		
0°C to +60°C	$\pm 2\%$	$\pm 3\%$
-45°C to +85°C	$\pm 2.5\%$	$\pm 5\%$
Video output DC coupled into 100 ohms.		
Output range	2.0V(Nom.)	2.0V(Nom.)
Offset adjust	± 100 mV	± 100 mV
Max offset change with temperature		
0°C to +60°C	± 12 mV	± 20 mV
-45°C to +85°C	± 30 mV	± 40 mV
Limited IF Output		
Into 50 ohms	0dBm ± 2 dB	0dBm ± 2 dB
Input VSWR	1.5:1	1.5:1
Power requirements, ± 12 V or ± 15 V	+ve 60mA max -ve 110mA max	+ve 60mA max -ve 110mA max (160mA max.SSDBB)
Weight	85g max	85g max

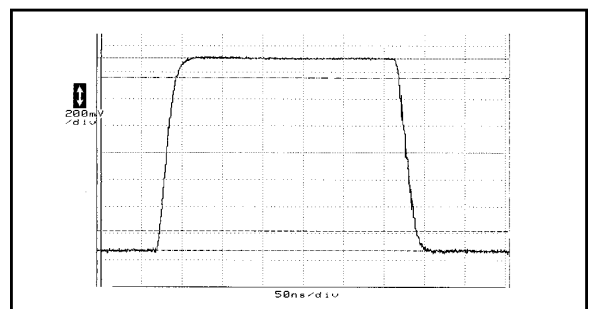
Optional Features

- Limited I.F. Output
- Log slope in the range 15-40 mV/dB
- ± 12 V or ± 15 V supply voltage
- Extended temperature range, -55°C to +100°C
- Matched pairs @ +25°C, ± 1 dB
- SMA, SMB or SMC connectors
- Tapped mounting holes
- Centre frequencies in the range 10-750 MHz
- Constant phase version available (LL series)

Linearity is defined as the deviation from the best fit straight line to the measured data. All the above parameters are specified @ +25°C.

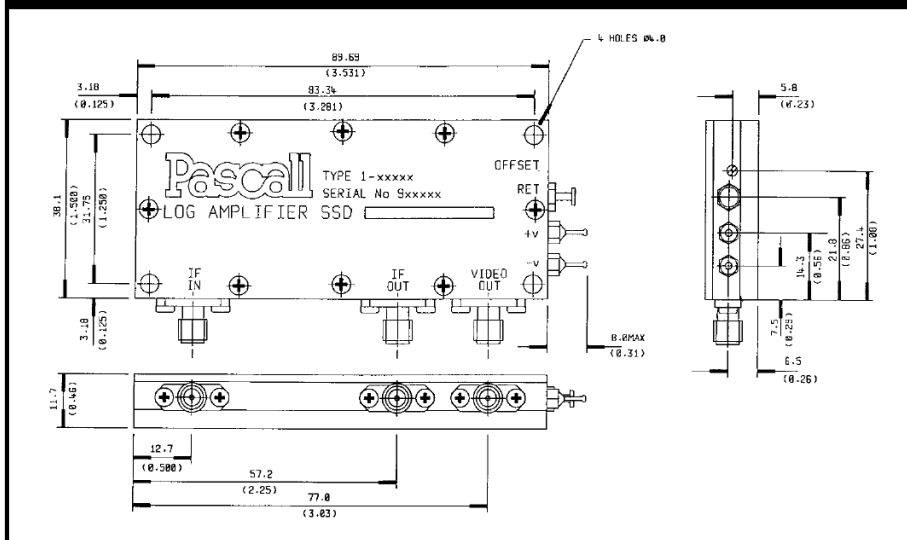
Pulse Response

SSDA 16040

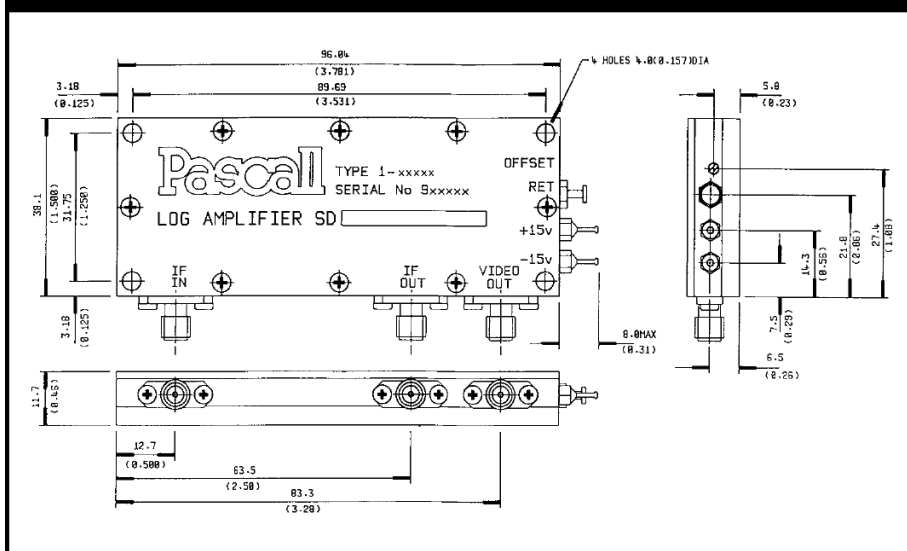


DIMENSIONS in mm. FINISH Bright tin, generally in accordance with MIL-T-10727 Type 1 Bright.

Standard Package 90mm: SSD Series



Standard Package 96mm: SD Series



Constant Phase Log Amplifiers: LL Series

